

Floor/Ceiling

Comfort & Dual Design



Model : ABYG18LVTB / ABYG24LVTA



Wireless R.C.



For ABYG18LVTB



For ABYG24LVTA

Specifications

Model No.	Indoor unit		ABYG18LVTB		ABYG24LVTA	
	Outdoor unit		AOYG18LBCB		AOYG24LBCB	
Power Source	Single phase, ~230V, 50Hz					
Capacity	Cooling	kW	5.2 (0.9-5.9)		6.8 (0.9-8.0)	
	Heating	kW	6.0 (0.9-7.5)		8.0 (0.9-9.1)	
Input Power	Cooling/Heating		1.62/1.66		2.21/2.26	
	Cooling	W/W	3.21		3.08	
EER	Cooling		3.21		3.08	
	Heating		3.61		3.54	
Pdesign	Cooling/Heating(-10°C)		5.2/5.2		6.8/6.0	
	Cooling	W/W	6.10		5.60	
SEER	Cooling		6.10		5.60	
	Heating (Average)		4.00		3.90	
SCOP	Heating (Average)		4.00		3.90	
	Cooling		A++		A+	
Energy Efficiency Class	Heating (Average)		A+		A	
	Cooling/Heating		A		A	
Max. Operating Current	Cooling/Heating		11.5/13.5		14.7/15.7	
Annual Energy Consumption	Cooling		298		425	
	Heating		1,818		2,153	
Moisture Removal	Cooling		2.0		2.7	
	Heating		2.0		2.7	
Sound Pressure Level	Indoor (Cooling)	H/M/L/Q	43/40/34/31		48/44/40/35	
	Indoor (Heating)	H/M/L/Q	43/40/34/31		48/44/40/35	
	Outdoor (Cooling/Heating)	High	50/50		53/54	
Sound Power Level	Indoor (Cooling/Heating)	High	57/57		61/61	
	Outdoor (Cooling/Heating)	High	62/65		66/66	
	Outdoor (Cooling/Heating)	High	62/65		66/66	
Airflow Rate	Indoor / Outdoor (Cooling)	High	780/2,380		980/2,850	
	Indoor / Outdoor (Heating)	High	780/2,080		980/2,700	
Net Dimensions H x W x D	Indoor	mm	199×990×655		199×990×655	
	Outdoor	mm	632×799×290		716×820×315	
Weight	Indoor	kg (lbs)	27 (60)		27 (60)	
	Outdoor	kg (lbs)	36 (79)		42 (93)	
Connection Pipe Diameter (Liquid / Gas)			6.35/12.70		6.35/15.88	
Drain hose Diameter (I.D./O.D.)			25/32		25/32	
Max Pipe Length (Pre-Charge)			25 (15)		30 (15)	
Max Height Difference			15		20	
Operation Range	Cooling	°CDB	-10 to 46		-10 to 46	
	Heating	°CDB	-15 to 24		-15 to 24	
Refrigerant	Type (Global Warming Potential)		R410A (2,088)		R410A (2,088)	
	Charge	kg (CO2eq-T)	1.20 (2.506)		1.50 (3.132)	

Flexible installation

Example for floor installation
Floor console

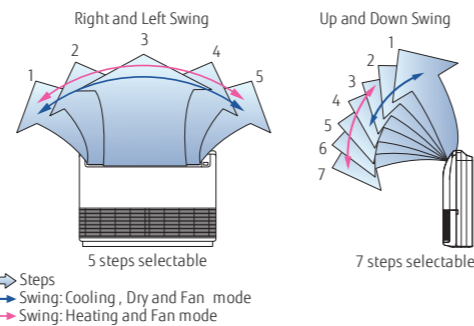


Example for ceiling installation
Under ceiling



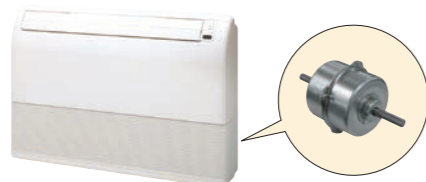
Double auto swing

A combination of right/left and up/down directional swing allows 3-dimensional air direction control

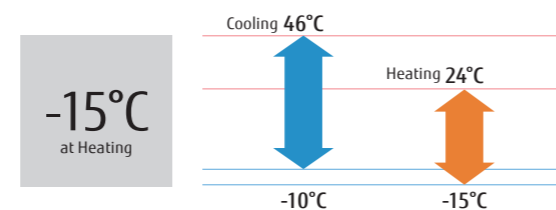


High power DC fan motor

- High power
- Wide rotation range
- High efficiency



Low ambient operation



Optional parts

- Wired Remote Controller: UTY-RNNYM Network Converter for single split (DC power supply type): UTY-VTGX
 UTY-RVNYM Network Converter for single split (AC power supply type): UTY-VTGXV
 Simple Remote Controller: UTY-RSNYM External Connect Kit: UTY-XWZX
 External Switch Controller: UTY-TERX MODBUS® Interface: FJ-RC-MBS-1
 Wireless LAN Interface: UTY-TFNXZ1 KNX® Interface: FJ-RC-KNX-1i
 FJ-RC-WIFI-1

Dimensions

(Unit : mm)

